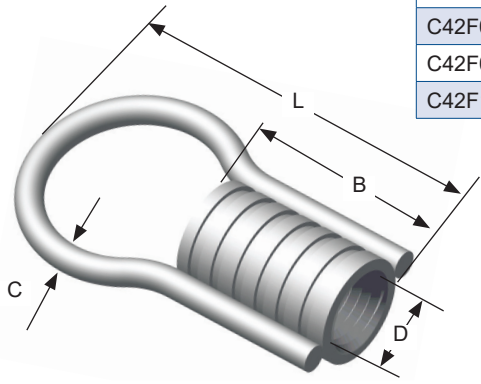


**Note:** Ferrule inserts are for connections only and should not be used for lifting. All ferrule inserts should be set back 1/2" from face of concrete. Standard finish is electroplated. Also available plain (Self Colored).

## Ferrule Loop Inserts

N/C closed end threaded ferrule is welded to a single round loop strut. Intended as a connection insert.

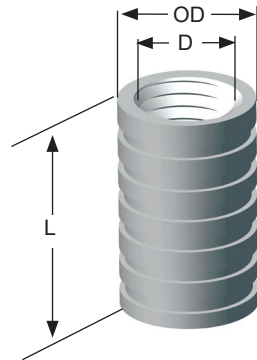
ITEM CODE	THREAD (D)	INSERT LENGTH (L)	THREAD DEPTH (B)	WIRE DIAMETER (C)	SWL (LBS)	SUGGESTED EDGE DISTANCE
C42F025	1/4"-20 NC	2-3/4"	1-1/4"	0.243"	650	5"
C42F038	3/8"-16 NC	2-3/4"	1-1/4"	0.243"	2000	5"
C42F050	1/2"-13 NC	2-3/4"	1-3/8"	0.262"	2000	5"
C42F058	5/8"-11 NC	3-1/4"	1-5/8"	0.262"	2400	5"
C42F075	3/4"-10 NC	3-1/2"	1-5/8"	0.375"	2400	5"
C42F078	7/8"-9 NC	6"	1-5/8"	0.375"	5300	8"
C42F100	1"-8 NC	6"	1-5/8"	0.375"	5300	8"



Safe working loads based on approximate 3:1 Safety Factor in 3,000 psi normal weight concrete. Stainless steel available in some sizes.

## Ferrule Only

Plain ferrule can be furnished for fabricating special inserts at the job site.

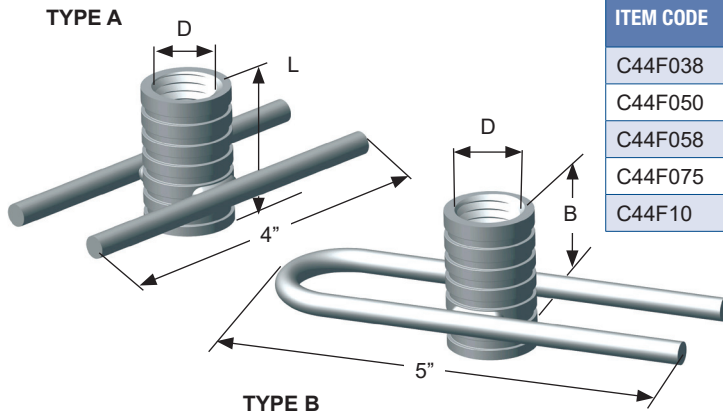


ITEM CODE	THREAD (D)	LENGTH (L)	OUTSIDE DIA. (OD)
C43F025	1/4" - 20 NC	1-1/4"	9/16"
C43F038	3/8" - 16 NC	1-1/4"	9/16"
C43F050	1/2" - 13 NC	1-3/8"	11/16"
C43F058	5/8" - 11 NC	1-5/8"	7/8"
C43F075	3/4" - 10 NC	1-5/8"	1"
C43F078	7/8" - 9 NC	1-5/8"	1-1/4"
C43F100	1" - 8 NC	1-5/8"	1-3/8"

Safe working loads based on approximate 3:1 Safety Factor in 3,000 psi normal weight concrete. Stainless steel available in some sizes.

## Thin Slab Ferrule Inserts

Very versatile insert intended for use as an anchorage insert in relatively thin slab concrete. N/C closed end ferrule insert is welded to parallel struts. Intended as a connection insert.



ITEM CODE	THREAD (D)	INSERT LENGTH (L)	THREAD DEPTH (B)	SWL (LBS)	SUGGESTED EDGE DISTANCE
C44F038	3/8"-16 NC	1-1/4"	1-1/4"	450	2-1/2"
C44F050	1/2"-13 NC	1-3/8"	1-3/8"	900	2-3/4"
C44F058	5/8"-11 NC	1-5/8"	1-5/8"	1000	3"
C44F075	3/4"-10 NC	1-5/8"	1-5/8"	1600	3"
C44F10	1"-8 NC	1-5/8"	1-5/8"	1600	3"

Safe working loads based on approximate 3:1 Safety Factor in 3,000 psi normal weight concrete.