

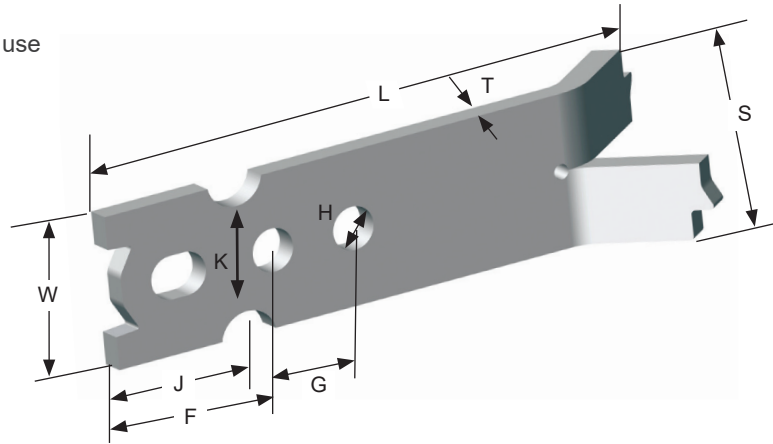
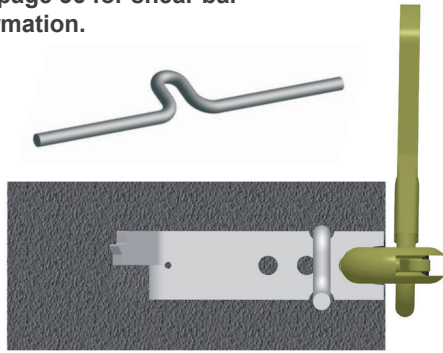
Flat Steel System



Erection Anchor

Designed to edge lift panel to vertical position with use of shear bar or shear plate.

See page 36 for shear bar information.



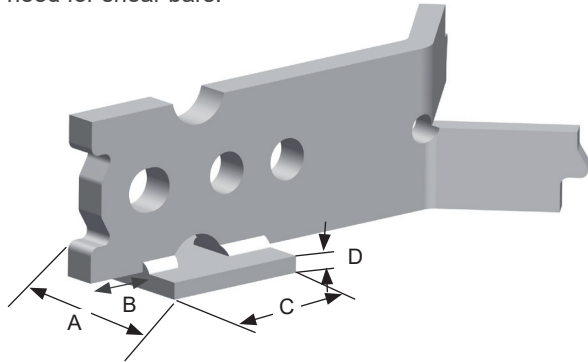
TON	SYS CODE	ITEM CODE	BODY LENGTH (L)	BODY WIDTH (W)	BODY THICK. (T)	NOTCH LOCATION (J)	NECK WIDTH (K)	HOLE DIA. (H)	HOLE CENTERS (G)	HOLE LOCATION (F)	SPREAD (S)
2	2.5	FEA02080	8"	2"	3/8"	1-13/16"	1-3/8"	9/16"	1-1/8"	2-1/4"	2-3/4"
4	5	FEA04105	10-1/2"	2-1/2"	5/8"	2-1/2"	1-13/16"	3/4"	1-1/4"	3-3/16"	3-3/8"
8	10	FEA08128	12-13/16"	3-3/4"	3/4"	3-1/8"	2-7/16"	1"	1-3/4"	4"	5"
10	10	FEA08128-10T	12-13/16"	3-3/4"	3/4"	3-1/8"	2-7/16"	1"	1-3/4"	4"	5"

TON	SYSTEM CODE	ITEM CODE	PANEL THICKNESS	SWL SHEAR W/SHEAR BAR (LBS)	SWL TENSION W/O TENSION BAR (LBS)	SWL TENSION W/TENSION BAR (LBS)
2-Ton Ring Clutch (2 Ton Anchor)						
2	2.5T	FEA02080	4"	1950	3190	4000
			5"	2105	3885	
			6"	2535	4000	
			7"	2885	4000	
			8"	3145	4000	
			9"	3445	4000	
			10"	3625	4000	
			11"	3885	4000	
4-Ton Ring Clutch (4 Ton Anchor)						
4	5T	FEA04105	6"	3000	5185	8000
			7"	3155	6015	
			8"	3445	6900	
			9"	3635	7785	
			10"	3845	8000	
			11"	3945	8000	
8-Ton Ring Clutch (8 Ton Anchor)						
8	10T	FEA08128	8"	4000	7695	16000
			9"	4165	8625	
			10"	4265	9565	
			11"	4485	10680	
			12"	4535	11660	

Safe working loads based on 4:1 Safety Factor in 3,500 psi normal weight concrete. See page 26 for Tension Vee Bar information.

Erection Anchor with Shear Plate

Welded shear plate eliminates need for shear bars.



TON	SYS CODE	ITEM CODE	PLATE WIDTH (A)	PLATE POSITION (B)	PLATE LENGTH (C)	PLATE THICK. (D)
2	2.5	FEA02080S	2-1/2"	3/4"	3"	1/4"
4	5	FEA04105S	2-1/2"	1-1/4"	3"	3/8"
8	10	FEA08128S	3"	1-5/8"	3-1/2"	3/8"
10	10	FEA08128S-10T	3"	1-5/8"	3-1/2"	3/8"

TON	SYSTEM CODE	ITEM CODE	PANEL THICKNESS	SWL SHEAR W/SHEAR PLATE (LBS)	SWL TENSION W/O TENSION BAR (LBS)	SWL TENSION W/TENSION BAR (LBS)
2-Ton Ring Clutch (2 Ton Anchor)						
2	2.5T	FEA02080S	4"	1950	3190	4000
			5"	2100	3885	
			6"	2500	4000	
			7"	2870	4000	
			8"	3160	4000	
			9"	3420	4000	
			10"	3640	4000	
			11"	3840	4000	
4-Ton Ring Clutch (4 Ton Anchor)						
4	5T	FEA04105S	4"	1800	3400	8000
			5"	2660	4730	
			6"	2860	5185	
			7"	3170	6015	
			8"	3430	6900	
			9"	3650	7785	
			10"	3860	8000	
			11"	3930	8000	
8-Ton Ring Clutch (8 Ton Anchor)						
8	10T	FEA08128S	7"	4010	7100	16000
			8"	4010	7695	
			9"	4120	8625	
			10"	4280	9565	
			11"	4420	10680	
			12"	4550	11660	

Safe working loads based on approximate 4:1 Safety Factor in 3,500 psi normal weight concrete. See page 26 for Tension Vee Bar information.