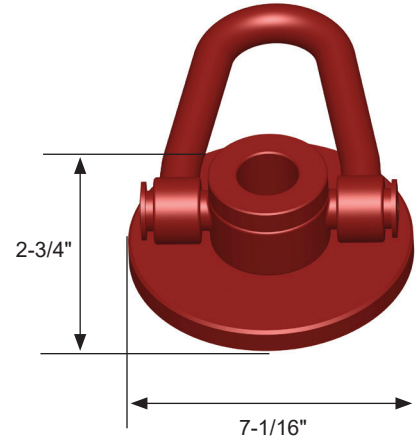
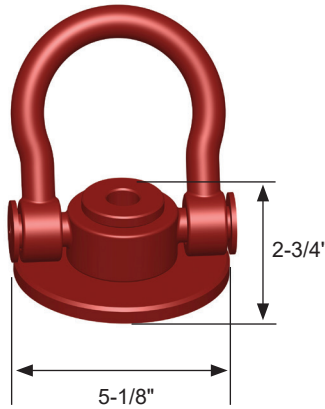
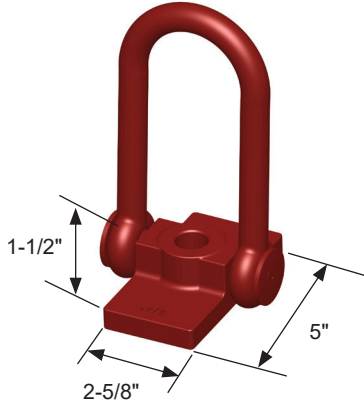


Coil Lifting System



Swivel Lifting Plates

Swivel Lifting Plates must be tightened securely and at full bearing for safe lifting usage. Safe working loads based on approximate 5:1 safety factor.



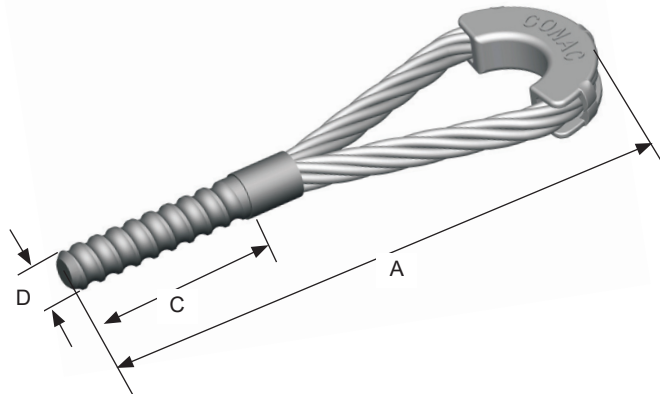
ITEM CODE	SIZE	MIN. BOLT LENGTH	SWL (LBS)
SWLP75	3/4"	4"	9000
SWLP10	1"	5"	9000

ITEM CODE	SIZE	MIN. BOLT LENGTH	SWL (LBS)
SWLP10-D	1"	5"	9000

ITEM CODE	SIZE	MIN. BOLT LENGTH	SWL (LBS)
SWLP125-D	1-1/4"	6"	13500
SWLP150-D	1-1/2"	6"	13500

Coil Lifting Loops

Most economical lifting units for this system. Manufactured from flexible wire rope. For tension only - limited to 30 degrees from vertical. Galvanized cable loop with mill finished threaded stud.



ITEM CODE	DIAMETER (D)	CAPACITY LOAD (LBS)	A	C
CLL50	1/2"	2000	5-1/2"	2-1/4"
CLL75	3/4"	5000	8-1/2"	2-3/4"
CLL100	1"	8000	10-3/4"	2-3/4"

Safe working loads based on approximate 5:1 Safety Factor.

Eye Bolt

Forged steel: one piece coil threaded eye bolt for tension lifting only.

ITEM CODE	THREAD (D)	THREAD LENGTH (L)	OUTSIDE DIA. (A)	INSIDE DIA. (B)	SWL (LBS)
EYE BOLT 3/4X2	3/4"	2"	2-7/8"	1-1/2"	3600
EYE BOLT 1X2-1/2	1"	2-1/2"	3-1/2"	1-3/4"	6400

Safe working loads based on approximate 5:1 Safety Factor.

