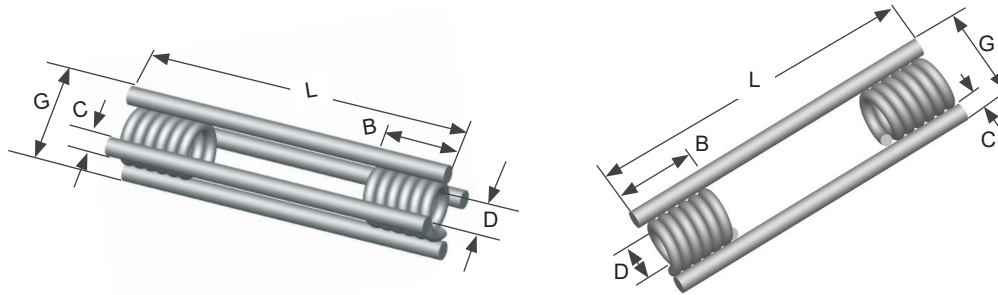


# Coil Lifting System

## Coil Ties

Strong and versatile coil tie insert intended for lifting. The coil is welded to two or four struts. Also available with Shear Bar.

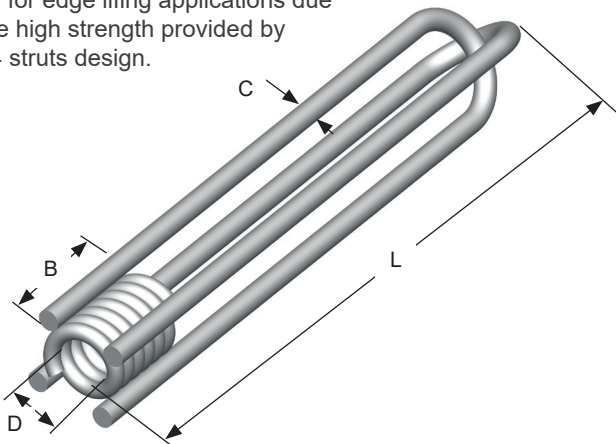


ITEM CODE	STRUTS	THREAD (D)	INSERT LENGTH (L)	BODY LENGTH (B)	WIRE DIAMETER (C)	OVERALL WIDTH (G)	SWL (LBS)
CT2-3/4X5	2	3/4"	5"	1-5/8"	0.375"	1-5/8"	4250
CT2-3/4X6	2	3/4"	6"	1-5/8"	0.444"	1-5/8"	4500
CT2-3/4X8	2	3/4"	8"	1-5/8"	0.444"	1-5/8"	6000
CT2-3/4X21	2	3/4"	21"	1-5/8"	0.375"	1-5/8"	6000
CT2-1X6	2	1"	6"	2-1/16"	0.440"	2-3/8"	6000
CT2-1-1/4X8	2	1-1/4"	8"	2-1/16"	0.440"	2-1/2"	7500
CT4-3/4X6	4	3/4"	6"	1-5/8"	0.440"	1-3/4"	6000
CT4-1X6	4	1"	6"	2-1/16"	0.440"	2-3/8"	6000
CT4-1X8	4	1"	8"	2-1/16"	0.440"	2-3/8"	9000
CT4-1X12	4	1"	12"	2-1/16"	0.440"	2-3/8"	9000
CT4-1X15	4	1"	15"	2-1/16"	0.440"	2-3/8"	9000
CT4-1-1/4"X8	4	1-1/4"	8"	2-3/8"	0.440"	2-1/2"	9000
CT4-1-1/4"X12	4	1-1/4"	12"	2-3/8"	0.440"	2-1/2"	13500
CT4-1-1/4"X18	4	1-1/4"	18"	2-3/8"	0.440"	2-1/2"	13500
CT4-1X12S	4	1"	12"	2-1/16"	0.440"	2-3/4"	9000
CT4-1X15S	4	1"	15"	2-1/16"	0.440"	2-3/4"	9000
CT4-1X18S	4	1"	18"	2-1/16"	0.440"	2-3/4"	9000
CT6-1-1/4X10	6	1-1/4"	10"	2-3/8"	0.440"	2-3/4"	12000

Safe working loads based on approximate 4:1 Safety Factor in 3,000 psi normal weight concrete.

## Straight Criss-Cross Coil Inserts

Ideal for edge lifting applications due to the high strength provided by the 4 struts design.



ITEM CODE	THREAD (D)	INSERT LENGTH (L)	WIRE DIA. (C)	BODY LENGTH (B)	SWL (LBS)
FCC 3/4X9	3/4"	9"	0.375"	1-5/8"	3,700
FCC1X12HD	1"	12"	0.440"	2-1/16"	6,500
FCC1-1/4X12HD	1-1/4"	12"	0.440"	2-3/8"	7,500

Safe working loads based on approximate 4:1 Safety Factor in 3,000 psi normal weight concrete.