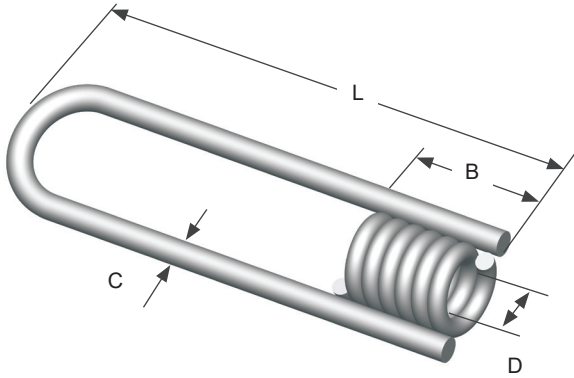


Coil Lifting System



Straight Coil Loop Inserts

Coil is welded to a single wire closed loop.

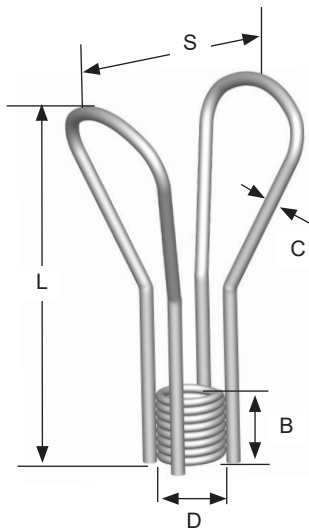


ITEM CODE	THREAD (D)	INSERT LENGTH (L)	BODY LENGTH (B)	WIRE DIA. (C)	SWL (LBS)	EDGE DIST.
C16B0540	1/2" coil	4"	1-3/16"	0.306"	2250	5"
C16B0560	1/2" coil	6"	1-3/16"	0.306"	3000	7"
C16B0524	1/2" coil	24"	1-3/16"	0.306"	3000	7"
C16B07540	3/4" coil	4"	1-5/8"	0.375"	2250	5"
C16B07560	3/4" coil	6"	1-5/8"	0.375"	3750	7"
C16B1040	1" coil	4"	2-1/16"	0.375"	3750	5"
C16B1050	1" coil	5"	2-1/16"	0.375"	3750	6"
C16B1060	1" coil	6"	2-1/16"	0.375"	3750	7"
C16B1080	1" coil	8"	2-1/16"	0.375"	3750	9"

Safe working loads based on approximate 4:1 Safety Factor in 3,000 psi normal weight concrete. CONAC does not recommend using 1/2" inserts for lifting.

Double Flared Coil Loop Inserts

Second coil loop adds significant capacity in both shear and tension.

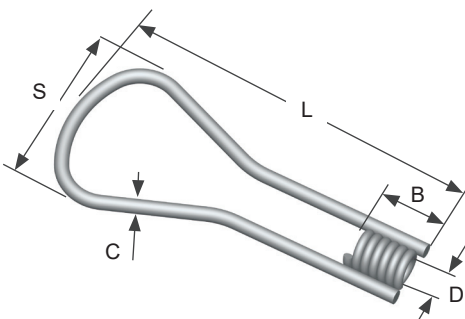


ITEM CODE	THREAD (D)	INSERT LENGTH (L)	BODY LENGTH (B)	WIRE DIA. (C)	SWL (LBS)	S
C17B1012 HD	1"	12"	2-1/16"	0.440"	13500	5-3/4"
C17B-1-1/4" X 12 HD	1-1/4"	12"	2-3/8"	0.440"	13500	5-3/4"
C17B 1-1/2" x 12 HD	1-1/2"	12"	2-9/16"	0.440"	13500	5-3/4"

Safe working loads based on approximate 4:1 Safety Factor in 3,000 psi normal weight concrete.

Single Flared Coil Loop Inserts

Coil is welded to a singled flared wire loop strut.



ITEM CODE	THREAD (D)	INSERT LENGTH (L)	BODY LENGTH (B)	WIRE DIA. (C)	LOOP SPREAD (S)	SWL (LBS)	SUGGESTED EDGE DISTANCE
C18B0540	1/2"	4"	1-3/16"	0.306"	3-1/8"	3000	6"
C18B0512	1/2"	12"	1-3/16"	0.306"	3-1/8"	3000	20"
C18B07540	3/4"	4"	1-5/8"	0.375"	3-1/2"	3000	6"
C18B07560	3/4"	6"	1-5/8"	0.375"	3-1/2"	4750	9"
C18B0759 HD	3/4"	9"	1-5/8"	0.440"	5-5/8"	8000	15"
C18B07512HD	3/4"	12"	1-5/8"	0.440"	5-5/8"	8000	20"
C18B109 HD	1"	9"	2-1/16"	0.440"	5-5/8"	8000	15"
C18B1012HD	1"	12"	2-1/16"	0.440"	5-3/4"	8000	20"

Safe working loads based on approximate 4:1 Safety Factor in 3,000 psi normal weight concrete. CONAC does not recommend using 1/2" inserts for lifting.