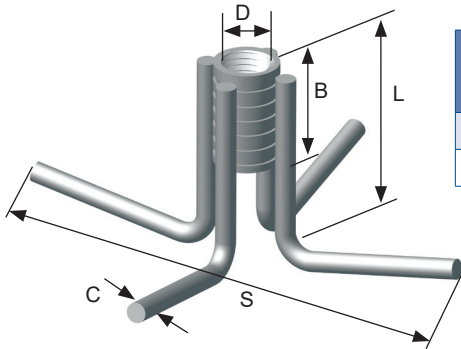


Note: Ferrule inserts are for connections only and should not be used for lifting. All ferrule inserts should be set back 1/2" from face of concrete. Standard finish is electroplated. Also available plain (Self Colored).

Thin Slab 4 Leg Ferrule Inserts

Very versatile insert intended for use as an anchorage insert in relatively thin slab concrete. N/C closed end ferrule insert is welded to 4 "L" shaped legs. Intended as a connection insert.



ITEM CODE	THREAD (D)	INSERT LENGTH (L)	THREAD DEPTH (B)	WIRE DIAMETER (C)	SPREAD (S)	SWL (LBS)	SUGGESTED EDGE DISTANCE
C52F0753	3/4"-10 NC	3"	1-5/8"	0.306"	7-1/6"	2650	7"
C52F104	1"-8 NC	4"	1-5/8"	0.375"	9-3/8"	4000	9"

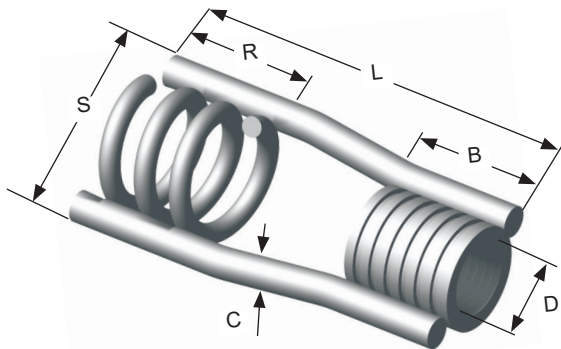
Safe working loads based on approximate 3:1 Safety Factor in 3,000 psi normal weight concrete.

Expanded Ferrule Inserts

A Ferrule is welded to two or four wire side struts. At the opposite end of the struts from the thread ferrule is an expanded wire embedment coil. These inserts offer a wide degree of casting versatility and high strength for a variety of conditions.

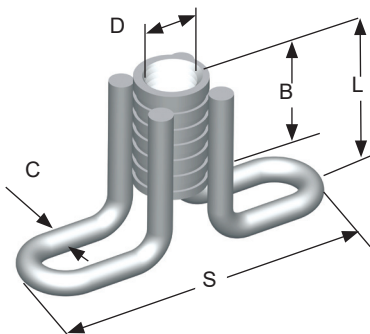
ITEM CODE	THREAD (D)	INSERT LENGTH (L)	THREAD DEPTH (B)	WIRE DIAMETER (C)	SPREAD LENGTH (R)	SPREAD (S)	SWL (LBS)	SUGGESTED EDGE DISTANCE
C57F-3/4	3/4"-10 NC	4-5/8"	1-5/8"	0.440"	1-1/2"	2-1/4"	5660	7-1/2"
C57F-1	1"-8 NC	5-5/8"	1-5/8"	0.440"	2-1/4"	2-3/4"	8330	11"

Safe working loads based on approximate 3:1 Safety Factor in 3,000 psi normal weight concrete.



Flared Thin Slab Ferrule Inserts (Wing Nut Style)

N/C closed end threaded ferrule is welded to two "L" profile closed loop wire struts. Intended as a connection insert in thin slab concrete sections.



ITEM CODE	THREAD (D)	INSERT LENGTH (L)	THREAD DEPTH (B)	WIRE DIAMETER (C)	SPREAD (S)	SWL (LBS)	SUGGESTED EDGE DISTANCE
C62F05175	1/2"-13 NC	1-3/4"	1-3/8"	0.306"	4-3/4"	1200	5"
C62F05827	5/8"-11 NC	2-7/16"	1-5/8"	0.375"	4-3/4"	2500	5"
C62F07527	3/4"-10 NC	2-7/16"	1-5/8"	0.375"	4-7/8"	2650	5"
C62F07535	3/4"-10 NC	3-5/8"	1-5/8"	0.375"	4-7/8"	4500	7"
C62F10278	1"-8 NC	2-7/8"	1-5/8"	0.375"	5-1/8"	2650	5"
C62F10458	1"-8 NC	4-5/8"	1-5/8"	0.375"	5-1/8"	6300	8"

Safe working loads based on approximate 3:1 Safety Factor in 3,000 psi normal weight concrete.